

# MBPCX 28 T2 1,1kW Zone 2: FAN (Ex h IIB T4 Gc) + MOTOR (Ex db IIC T4 Gb) (502302818XD)

## GENERAL DATA



PLASTIC ATEX FAN WITH FORWARD IMPELLER

### MANUFACTURING FEATURES

- Housing made of PP-el plastic (for models size 35 and equal to or greater than size 45) other models PE-el casing
- Forward curved impeller in PP plastic.
- Motor support made of rolled steel sheet with polyester powder finishing coat.
- Stainless steel nuts and bolts.
- Standard asynchronous squirrel-cage motor, IP-55, class F insulation. Standard voltages 230/400V 50Hz for three phase motors up to 4kW and 400/690V 50Hz for higher powers. Equipped with ATEX motors

- Available positions (to be indicated in case of order): LG270, LG0, LG45, LG90, LG135, LG180, LG225, LG315, RD0, RD45, RD90, RD135, RD180, RD225, RD270, RD315.
- The indicated codes correspond to the model in position LG270

### APPLICATIONS

Designed for inline installation, they are suitable for:

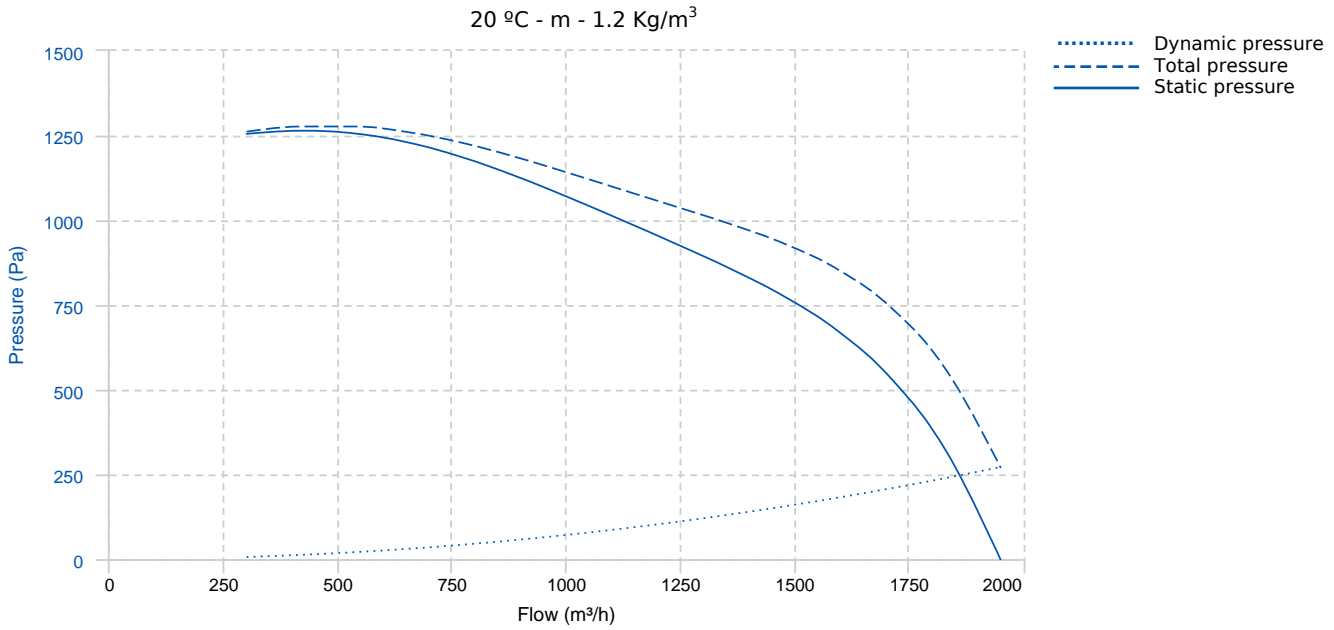
- Corrosive air transport.
- Chemical and petrochemical industry.
- Laboratories and gas cabinets.
- General ventilation in closed environments classified as ATEX zone 2.
- Maximum temperature of transported air: If it is clean air 70°C, other depends on the gas (see table in documentation)

### UNDER REQUEST

- 60Hz fans and special voltages fans.
- Stainless steel motor support.

In compliance with the ATEX Directive 2014/34/UE. Certified ATEX IIIG with certified ATEX motor for areas 2 (gas)

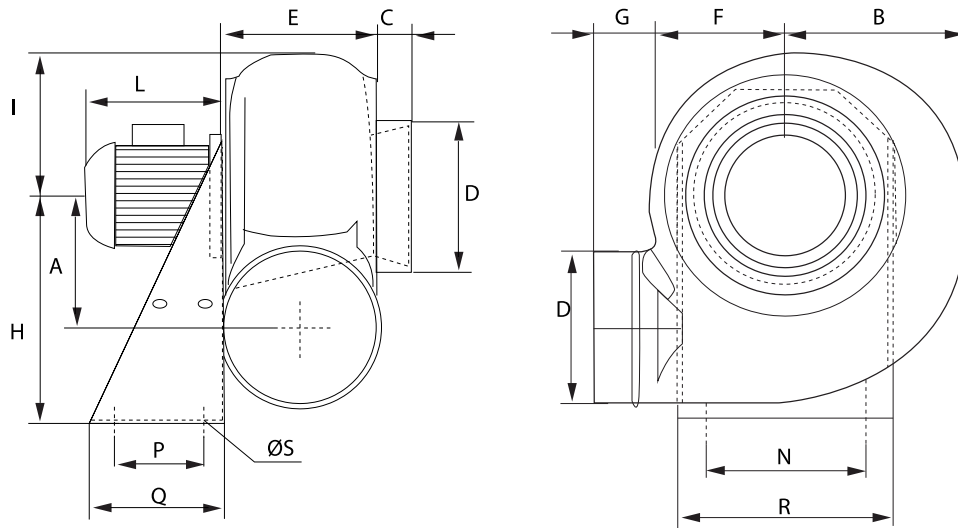
## PERFORMANCE CURVE



## TECHNICAL DATA

Fan							
RPM	2830	Approx. weight	31 kg	Max. Flow	1950 m <sup>3</sup> /h		
Motor							
Power	1,1 kW	RPM	2830	I max. (400V)	2,6 A	Size	80
Approx. weight	11 kg	Efficiency (%)	72 %	FP	0.86		

## DIMENSIONS

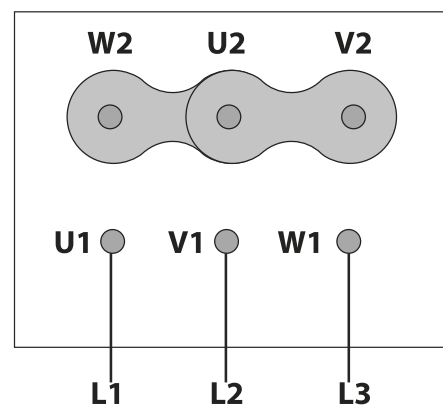
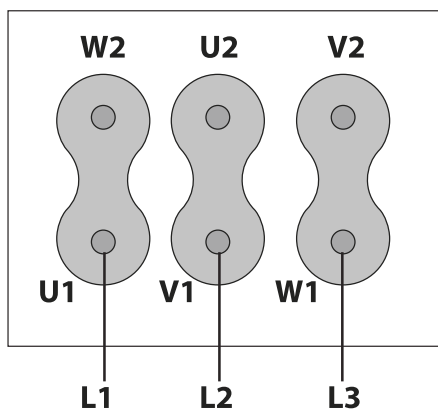


Dimensions (mm)									
A	208	B	274	C	40	DØ	180	E	160
F	204	G	60	H	350	I	230	L	190
N	277	P	120	Q	190	R	316	ØS	11

## WIRING DIAGRAM

230V

400V



## ACCESSORIES



**ANTI-VIBRATING FLANGE 400°/2H**  
**BA-400 20**  
REF: 960002066



**ATEX SWITCH**  
**INT 16 ATEX**  
REF: 510200016X



**DIFUSOR GRID**  
**DG Ø180**  
REF: DG180



**DRAIN PLUG**  
**PD 1**  
REF: PD1



**WALL SUPPORT**  
**WS 1**  
REF: WS1



**FREQUENCY SPEED CONTROLLER**  
**SFC 230 I 7A \***  
REF: SFC230I007



**ANTI-VIBRATION RUBBER BLOCK**  
**AVR (GENERIC)**



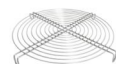
**ANTI-VIBRATION JOINT**  
**JE 45**  
REF: A-300719201



**PVC FLEXIBLE JOINT**  
**FJ Ø180**  
REF: FJ-180



**CIRCULAR GRAVITY DAMPER**  
**CSC Ø180**  
REF: CSC180



**STAINLESS STEEL PROTECTION GRID**  
**RPI Ø180**  
REF: RPI180



**ANTI-VIBRATION BLOCK**  
**AV 1**  
REF: AV-1

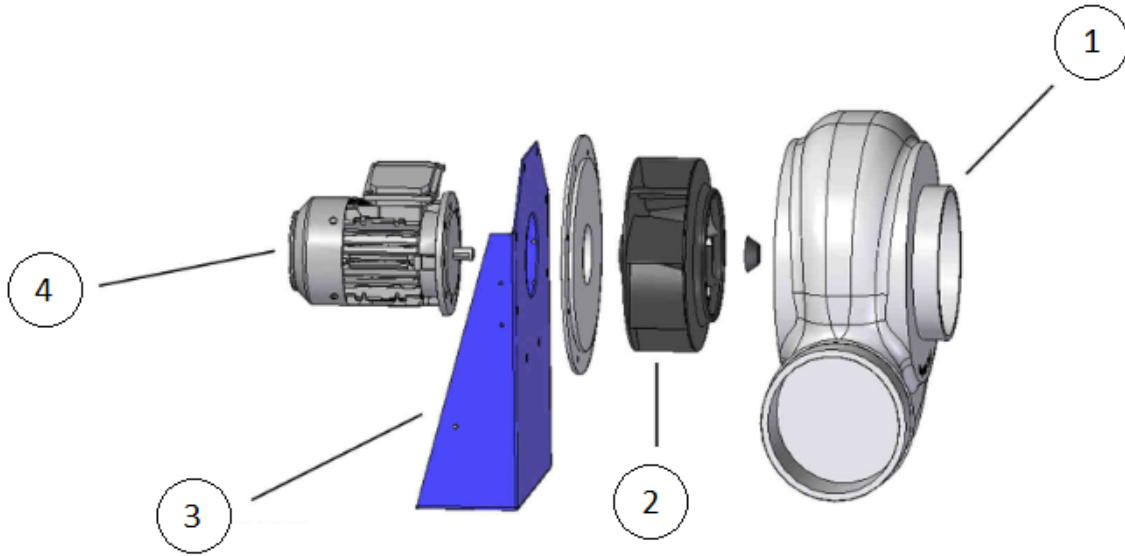


**FREQUENCY SPEED CONTROLLER**  
**SFC 400 III 3,6A \***  
REF: SFC400III4



**ANTI-VIBRATION SPRING BLOCK**  
**AVS (GENERIC)**

**SPARE PARTS**



	Code	Model	Qty
1	T03102818	IMPELLER MBPCX 28 T2 1,1 kW LG	x1